

LED SOLAR STREET LIGHT - 40W SPLIT SERIES



PRODUCT FEATURES

SOLAR-SPLIT STREET LIGHT SERIES are a simple solution to provide lighting to an area with no operational costs by using power free from the sun. Adjustable solar panels allow for optimal angle and sun-facing direction to achieve best charging results.

The solar street lights are suitable for applications such as perimeter lighting, pathway lighting, driveways or areas that can't easily access AC power.

- 100% Dusk to dawn operation
- Automatic night-time operation
- MPPT intelligent controller
- 155/70° Beam angle
- Fits 60mm spigot size
- Optional pole top or spigot mount
- Aluminium die-cast housing
- Optional pole top spigot adaptor
- IP65 weatherproof housing
- IK08 impact rating
- 2 year warranty



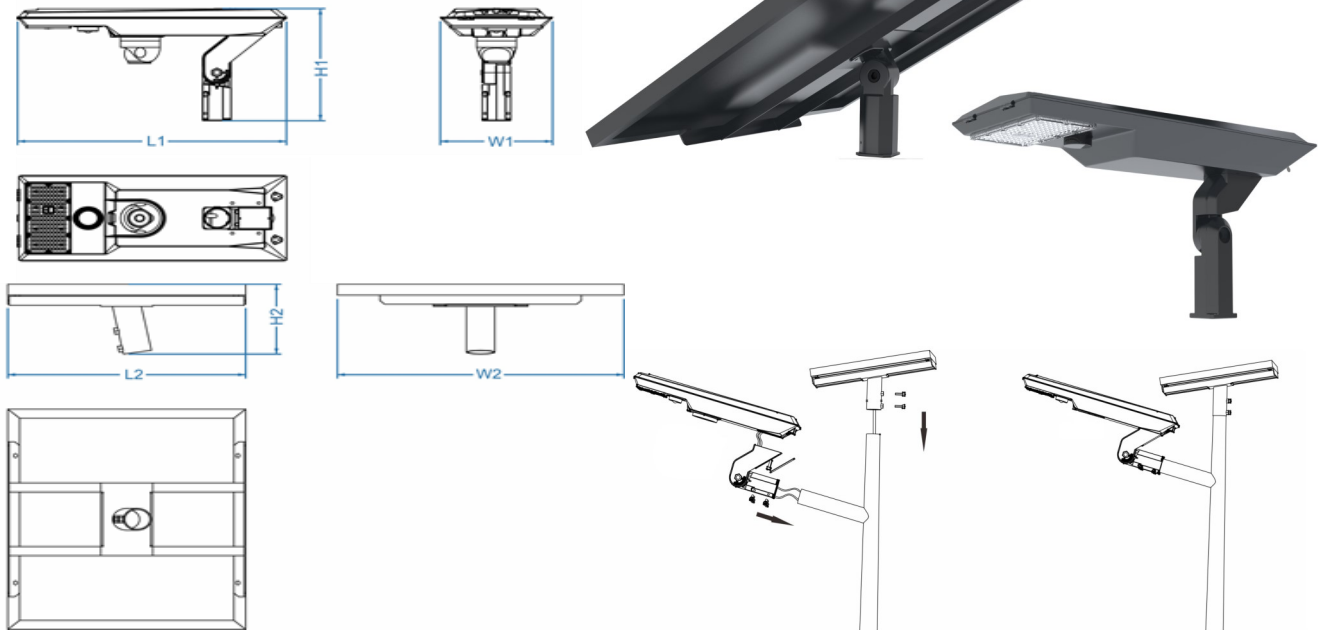
IK08

IP65

2 YEARS
WARRANTY

Product details

Size and installation methods



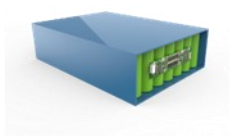
System features



- Installation angle is -15° to +15° adjustable
- Supports pole top or spigot mounting



- Die-cast aluminium housing, tool-free opening for maintenance
- Corrosion resistant power coating with s/steel fixings



- Temperature protection system
- 3-Way temperature control via battery, battery pack and system controller



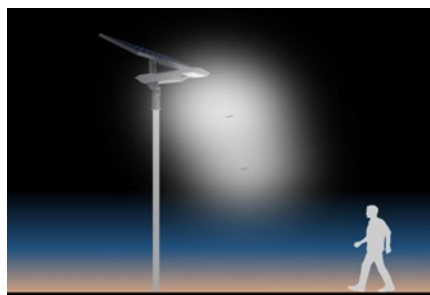
- MPPT controller, 15-20% higher efficiency than PWM controllers
- Low battery level dimming to prolong LED lighting time

*Solar products are designed for dusk to dawn operation with added allowance for winter conditions. Be aware that in winter months it is possible that some nights the light will not last all night due to inclement weather conditions limiting charging time. Solar is not recommended for any locations classed as critical lighting areas where lighting is required all night.

Brightness control



No motion sensor



100% brightness from dusk to dawn



Product specifications

SPECIFICATIONS	SSL-SPLIT-40W
Colour temperature	5000K
Lumen	4,000 lm
Efficiency	>100lm/w
Light source	LEDs
Beam angle	155° x 70° asymmetric wide beam
Power requirement	Solar powered
Solar battery	755wH Ternary Lithium
Charging time	~ 6 hours
Discharge time	Dusk to dawn, 100% on (no sensor control)
Mounting height	4-6m
Pole mounting	Horizontal or vertical 60mm spigot input
Operating temperature	-10°C ~ 55°C
Lifespan	>40,000 hours
Housing and lens	Die-cast aluminium with PC diffuser
Light dimensions (LxWxH)	713 x 297 x 384mm
Solar panel dimension (LxWxH)	819 x 978 x 192mm
Weight	32kgs
Protection ratings	IP65 weatherproof, IK08 impact
Warranty	2 Years
Spigot adaptor	SSL-SPLIT-40W-HF



* With the rapid development of LED technology, Dolphin Lighting reserves the right to change data and specifications without notice.

www.dolphinlighting.com.au